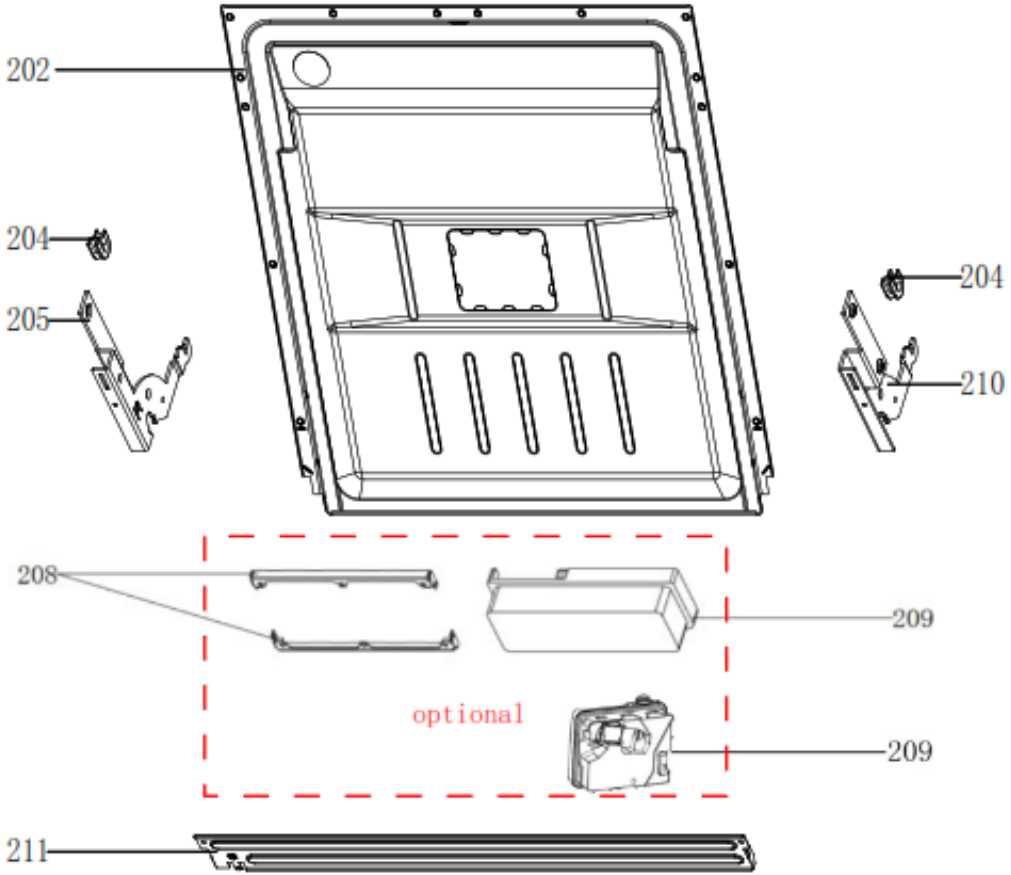
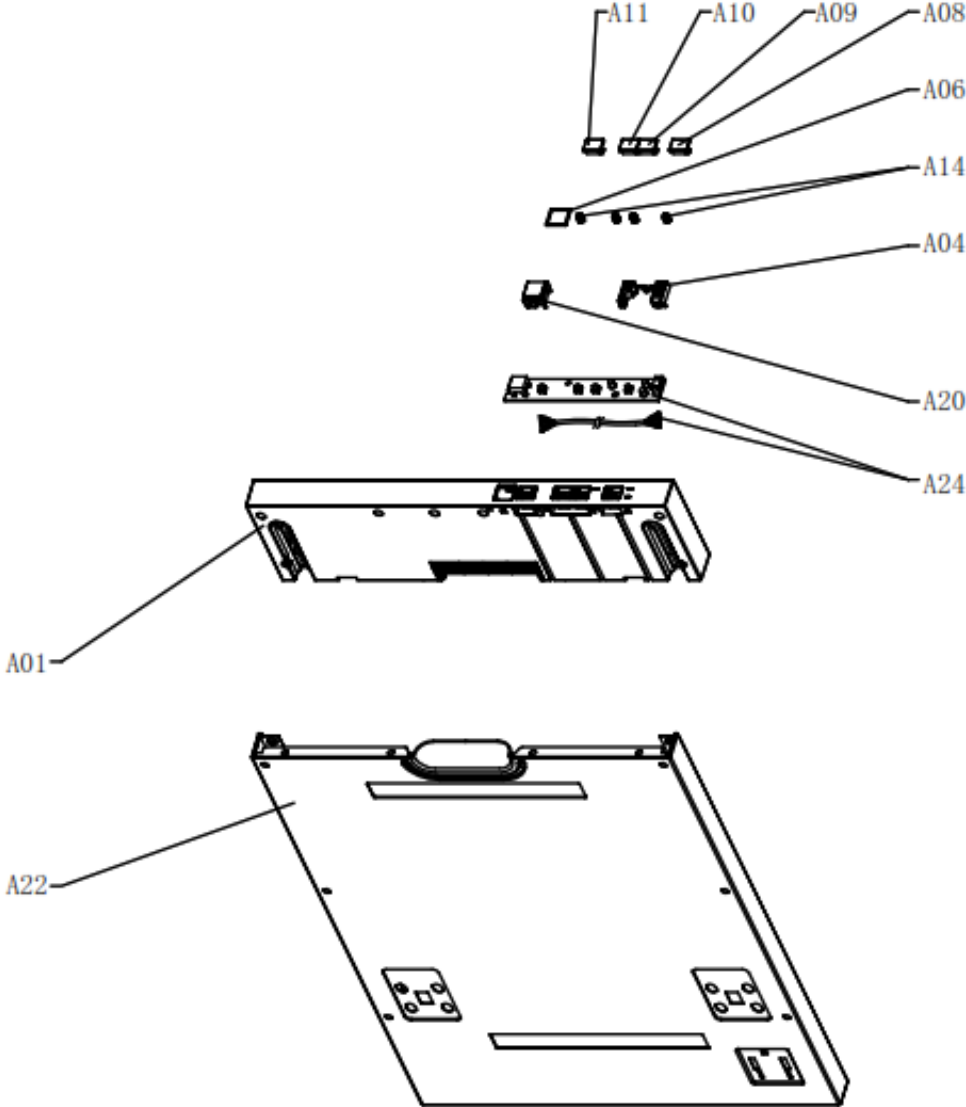
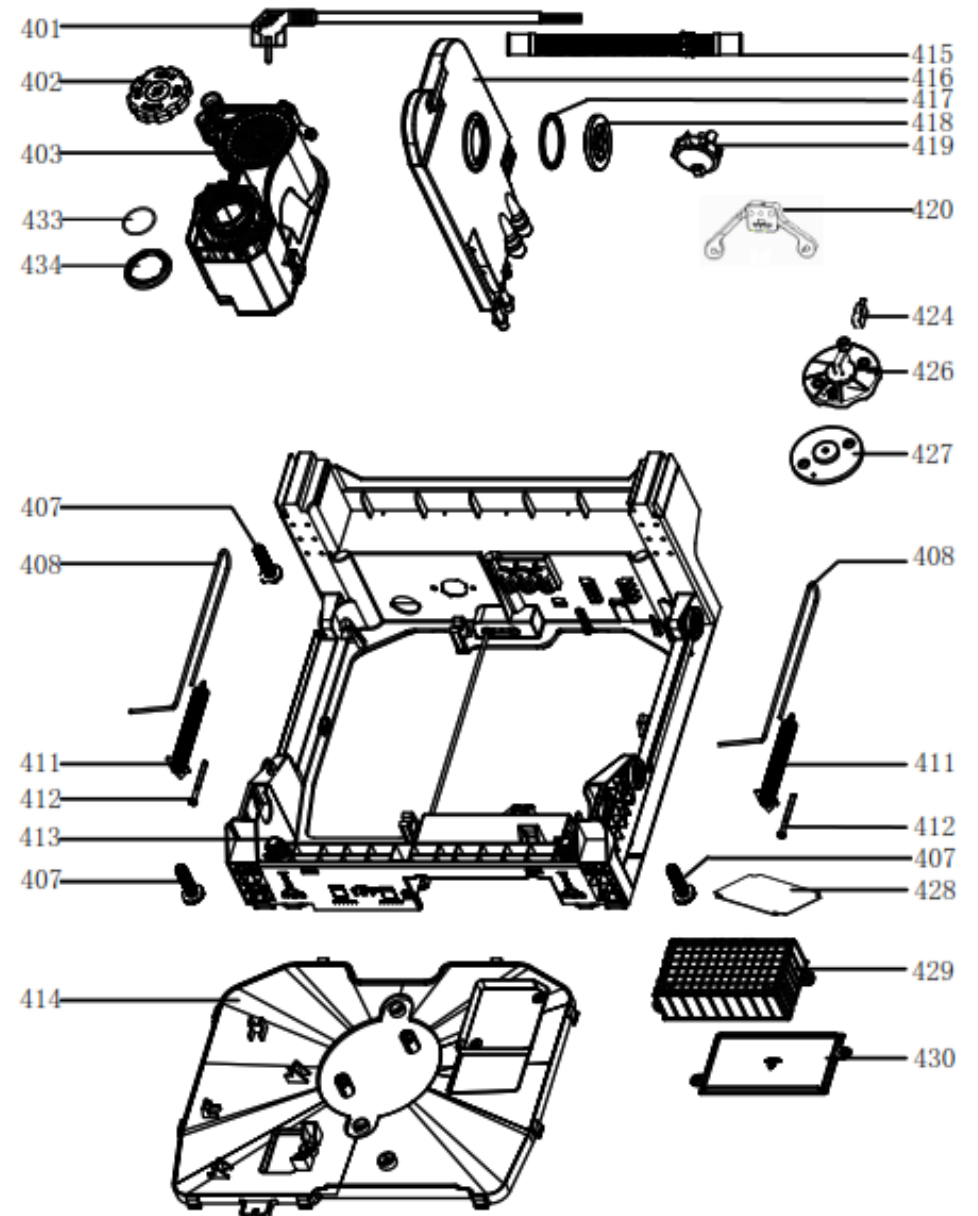
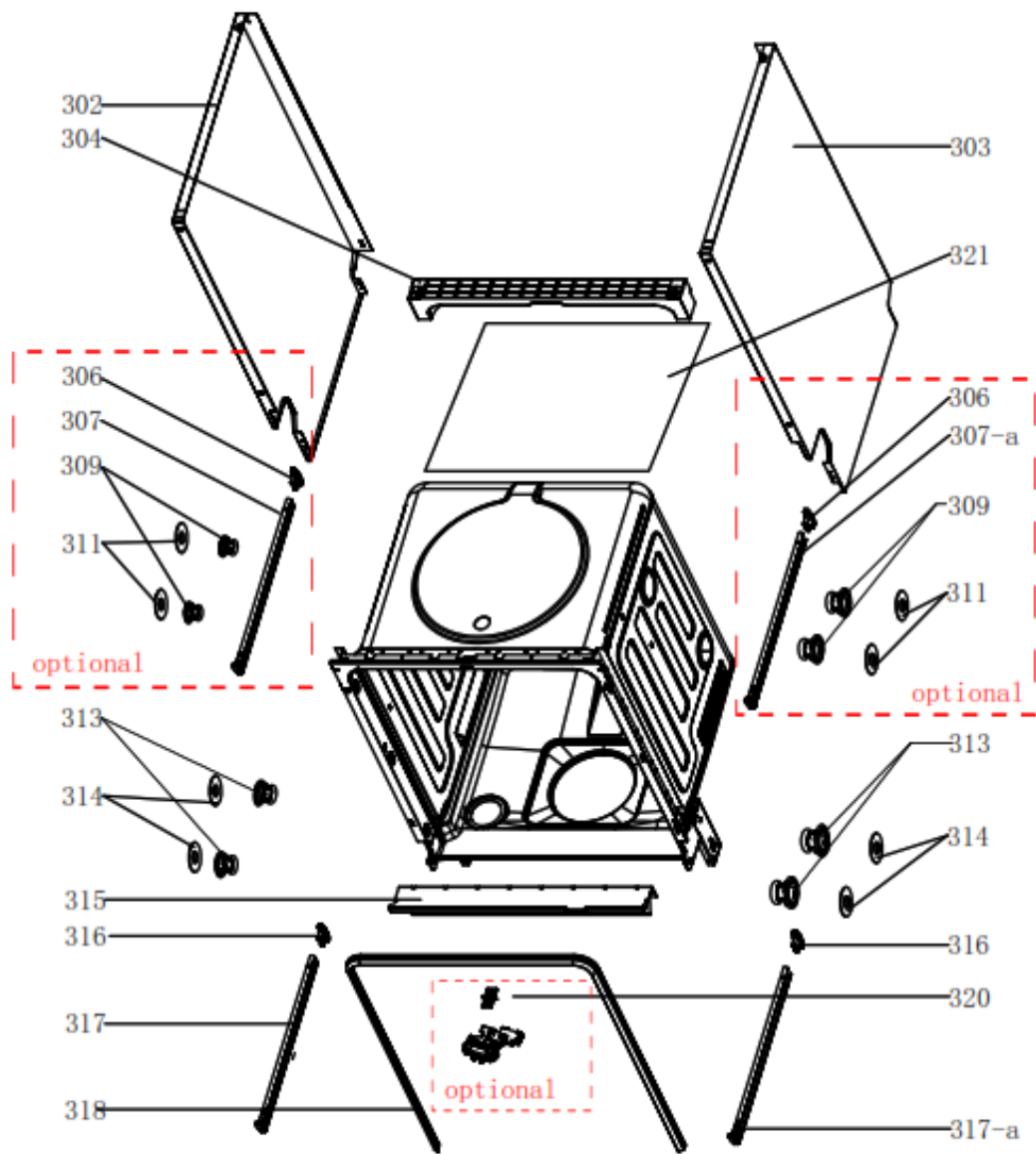
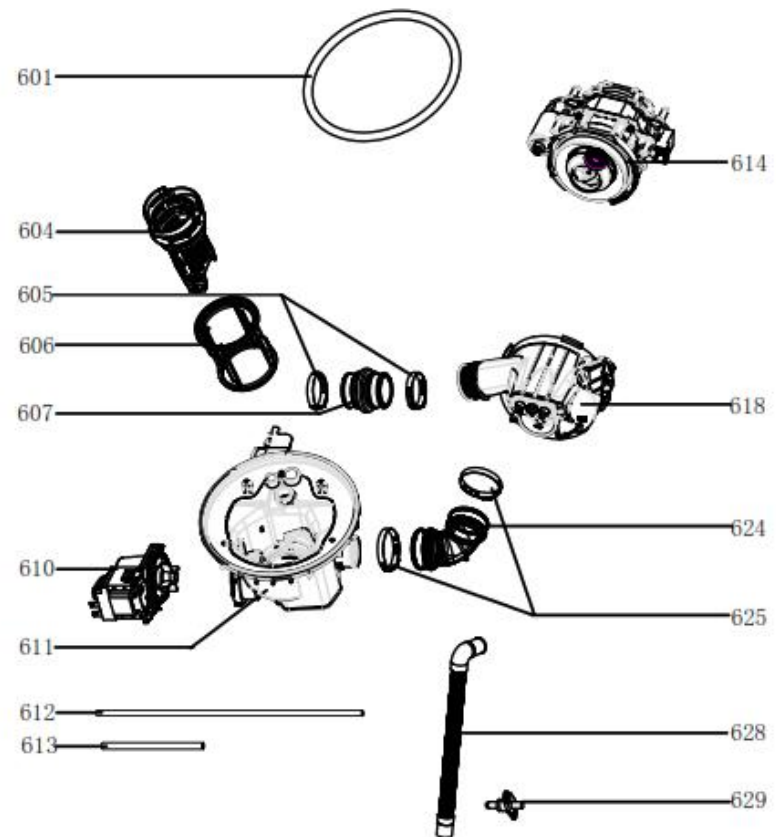
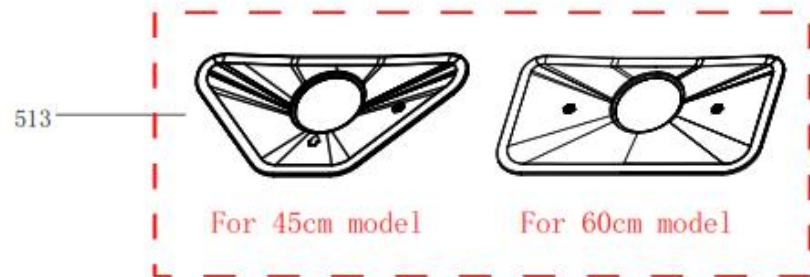
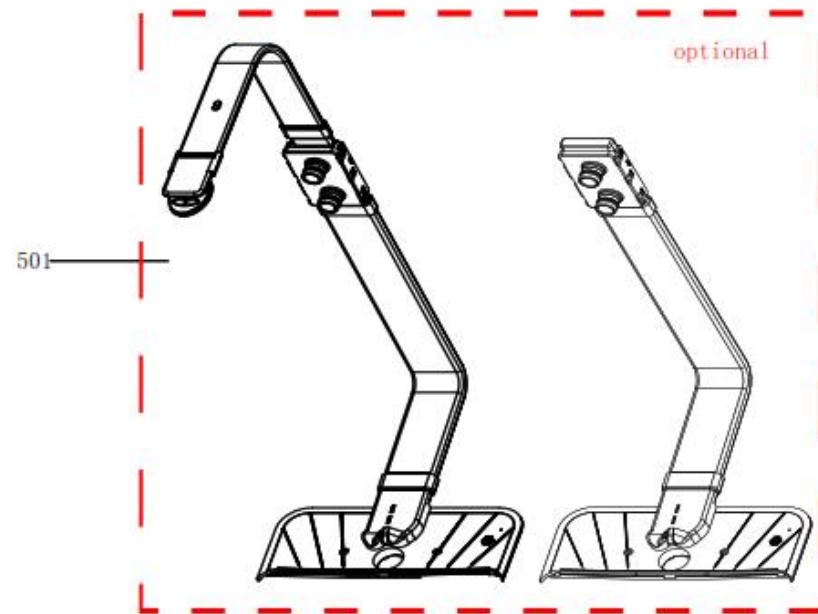


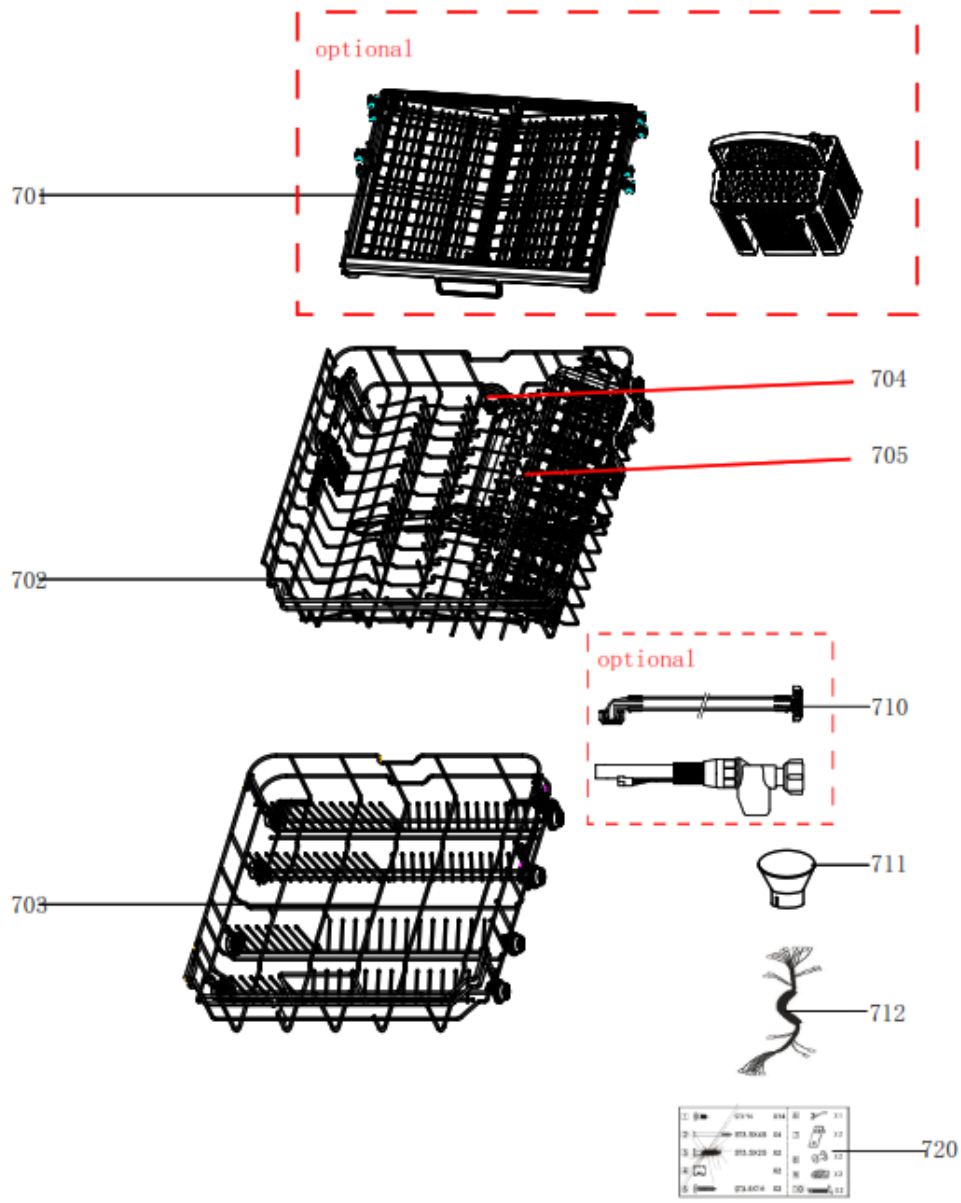
DISHWASHER
MODEL NUMBER
NE60BD14UK_EU
PARTS MANUAL

Exploded Drawing

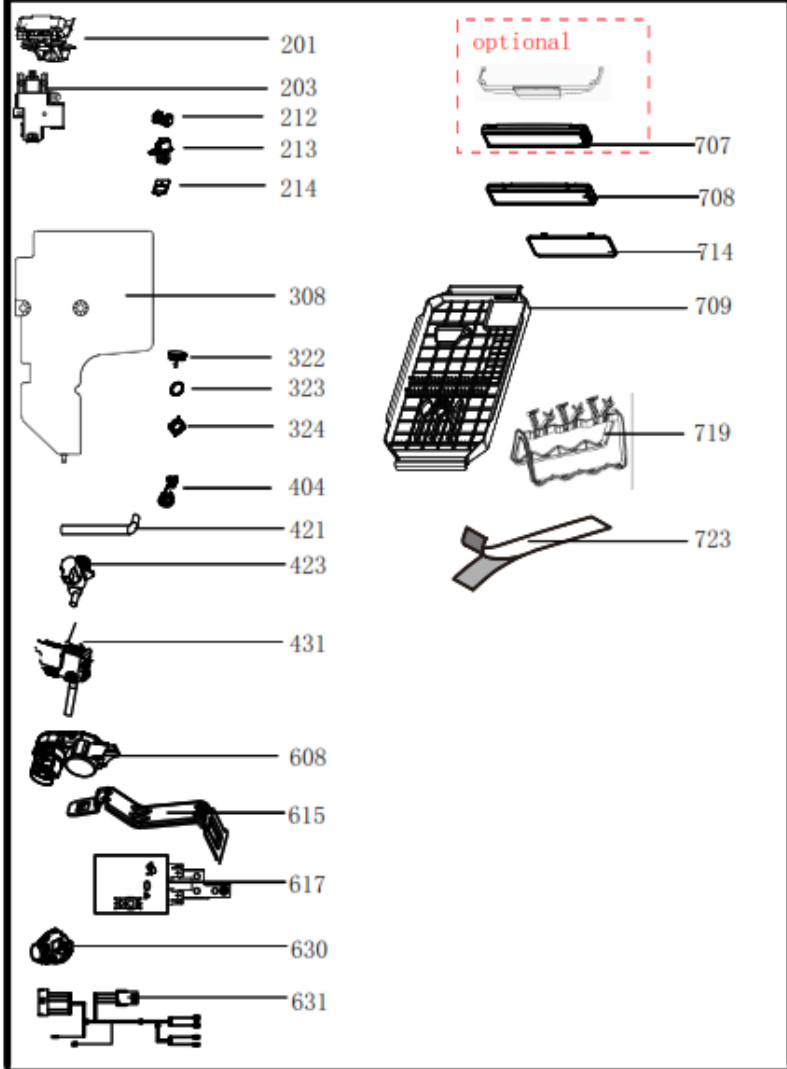








These parts are optional. Only serial numbers listed in the spare parts list represent the parts the machine possesses.



Spare Parts List

ID No	Part Number	Apelson Code	Part Description	Qty.
A24	17176000A14586	AA0000003551	DISPLAY CIRCUIT BOARD	1
A22	12276000014971	AA0000001172	OUTER DOOR	1
201	17476000007454	AA0000002150	DOOR SWICTH ASSEMBLY	1
202	12276000005319	AA0000002782	INNER DOOR ASSEMBLY	1
203	12176000030346	6730002328	DOOR LOCK ASSEMBLY	1
204	12176000003629	60501345	SNAP RING	1
205	12276000021255	AA0000003561	LEFT HINGE ASSEMBLY	1
208	12276000001459	AA0000002173	DISPENSER BRACKET	2
209	17476000007435	AA0000002174	DISPENSER	1
210	12276000021256	AA0000003563	RIGH THINGE ASSEMBLY	1
211	12276000019605	AA0000002764	CONNECTING BOARD	1
302	12276000026818	AA0000003565	LEFT SIDE PANEL	1
303	12276000014953	AA0000001175	RIGHT SIDE PLATE	1
304	12176000003869	AA0000003590	UPPER BACK SUPPORT	1
313	12176000010412	AA0000001775	RAIL SUPPORT ASSEMBLY	4
314	12176000008573	AA0000001776	BASKET GUIDER SUPPORTING HOLDER	4
315	12276000024531	AA0000003591	ACOUSTIC PANEL	1
316	12176000008496	673001300803	STOPPER	2
317	12276000001357	25107235	GUIDE RAIL ASSEMBLY	1
317-a	12276000001360	25107240	GUIDE RAIL ASSEMBLY	1
318	12676000000846	673001700144	SEAL	1
320	12176000009491	AA0000002155	DOOR LOCK HOOK	1
321	12176000010248	AA0000003592	BACK PLATE	1
401	17476000007384	AA0000002156	EUROPEAN STANDARD POWER CORD	1
402	12176000010640	673002800187	SOFTENER COVER ASSEMBLY	1
403	17476000010222	AA0000002766	SOFTENER	1
404	12176000009490	AA0000002157	POWER CORD CLASPER	1
407	12176000009726	25107585	FOOT	3
408	12976000000400	673001300699	DOOR ROPE	2
411	12976000000203	63300175	SPRING	2
412	12976000001001	62701160	ADJUST SCREW OF DOOR SPRING	2
413+407	12176000019571	25107590	BASE TRAY ASSEMBLY	1

414	12176000019565	25107595	BASE TRAY COVER	1
415	12676000000138	25107280	DRAIN PIPE ASSEMBLY	1
416	12176000003906	25107355	AIR BREATHER ASSEMBLY	1
417	12676000000713	60501360	WASHER	1
418	12176000013663	673001600099	AIR BREATHER NUT	1
419	17476000007426	AA0000002158	PRESSURE SWITCH	1
420	12276000008925	25107295	HOOK ASSEMBLY	1
421	12676000000140	673000900289	INLET HOSE OF AIR BREATHER	1
423	17476000007448	AA0000002159	WATER INLET VALVE	1
424	17476000001137	25107305	MICROSWITCH	1
426	12176000003125	25107310	SWITCH SEAT	1
427	12876000000050	25107315	FLOAT	1
428	17176000042583	AA0000003552	MAIN CIRCUIT BOARD	1
429	12176000016897	60703810	PCB BOX COVER	1
430	12176000016896	60703815	PCB BOX	1
433	12676000004982	61900200	SOFTENER GASKET	1
434	12176000009513	60703200	SOFTENER NUT	1
501	12176000009430	673000903005	INNER PIPE ASSEMBLY	1
510	12176000009161	673000330015	LOWER SPRAYER	1
511	12176000008645	25107270	LOWER SPRAYER SEAT	1
513	12176000003689	65300555	PLANE FILTER	1
601	12676000001461	60501365	SEAL RING	1
604	12176000009640	AA0000003568	FILTER HANDLE	1
605	12976000004604	62902285	CLAMP	2
606	12176000003676	25107345	CYLINDRICAL FILTER	1
607	12676000000132	673000900417	WASHING PUMP OUTLET PIPE	1
610	17476000007443	26000380	DRAIN PUMP	1
611	12176000016228	25107605	WATER CUP ASSEMBLY	1
612	12676000000687	673000902005	PRESSURE SWITCH PVC PIPE	1
613	12676000001521	25107540	WATER OUTLET PIPE	1
614	17476000A11116	AA0000003593	INDUCTION PUMP	1
614	17476000A11115	AA0000003553	DRAIN PUMP	1
618	17476000007431	AA0000002161	HEATING TUBE ASSEMBLY	1
624	12676000000162	673000900418	INLET PIPE	1
625	12976000000308	69411135	CLAMP	2

628	1267600000947	673000903015	DRAIN HOSE	1
629	17176000012008	62100375	TEMPERATURE SENSOR	1
701	12176000002705	673003200063	CUTLERY BASKET	1
702	12976000A11509	AA0000003594	UPPER BASKET ASSEMBLY	1
703	12976000A11553	AA0000003595	LOWER BASKET ASSEMBLY	1
704	12176000009173	673000310035	MIDDLE SPAYER ASSEMBLY	1
705	12176000002821	673003200058	KNIFE AND FORK RACK	1
710	12176000A69893	AA0000003573	INLET PIPE ASSEMBLY	1
711	12176000010312	25107250	SALT FILLER	1
712	17476000A10415	AA0000003596	WIRE HARNESS	1
720	12976000000292	670400047004	ACCESSORY BAG	1